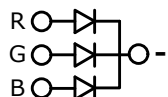
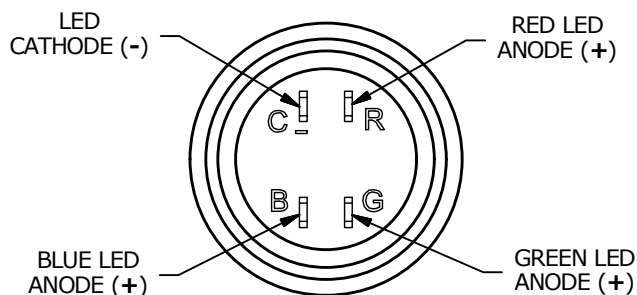
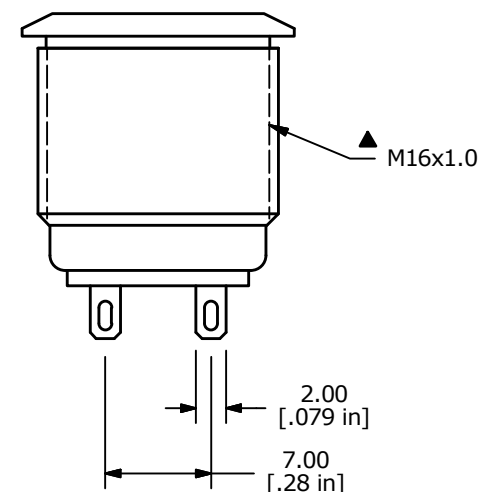
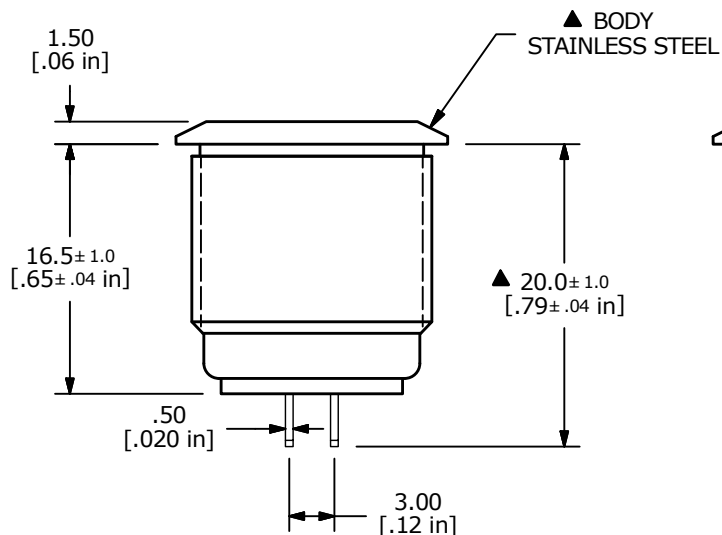
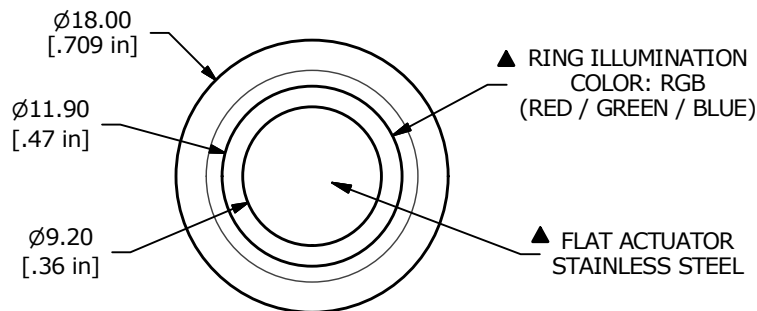


RECOMMENDED PANEL CUTOUT
MAX. PANEL THICKNESS
10.0mm [.32 in]



▲ LAMP INDICATOR
CONTACT CONFIGURATION



- NOTE:
1. ALL DIMENSIONS IN MM [INCH]
 2. GENERAL TOLERANCE: X.X = ±0.4
X.XX = ±0.25
 3. OPERATING TEMP.: -20°C to 55°C
 4. ▲ DENOTES CRITICAL PARAMETER.
 5. HARDWARE SUPPLIED: O-RING AND HEXNUT (NOT SHOWN)
 6. ILLUMINATION COLOR: RGB (RED / GREEN / BLUE)
 7. ILLUMINATION BASE RATING @ 20mA:
RED - 1.8V
GREEN - 2.8V
BLUE - 2.8V
 8. 2011/65/EU (ROHS) COMPLIANT



A	23009	RELEASE FOR PRODUCTION	9/25/17	MW
REV	PCR NO	DESCRIPTION	DATE	BY

TITLE	PV6F2PXSS-3R1			
SCALE	2:1	DATE	9/22/2017	DR
			rc	DWG
				52-PV6F2PXSS3R1
				REV
				A

THE INFORMATION CONTAINED IN THIS DOCUMENT IS PROPRIETARY TO E-SWITCH AND IS NOT TO BE COPIED OR TRANSFERRED